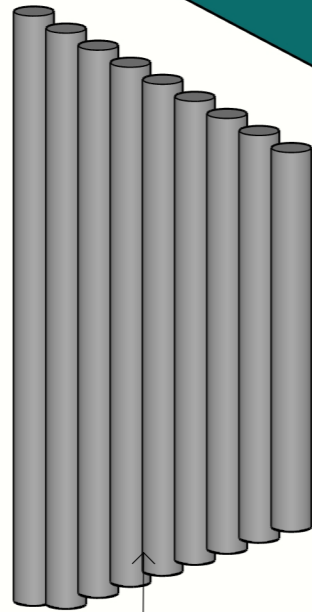
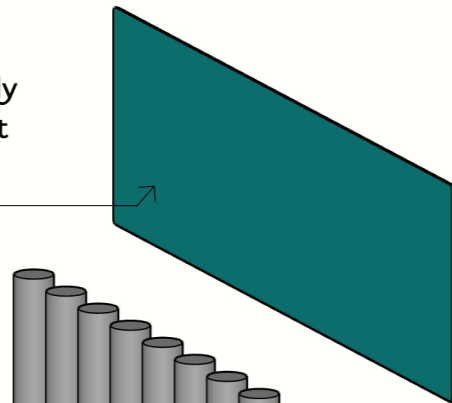


Exploded View

3mm aluminium graphic panel with PPC finish and applied digitally printed graphics. Includes a cutout for the steel rod handles.



Outdoor upright chimes tuned C,D,E,F,G,A,B,C

Standard 4inch block 430x215x87 fitted with 40mm steel rod handles.

2no. Chime mallet on security cable attached to timber framework

1.5mm THICK STAINLESS STEEL TOP CAP WITH FOLDED RETURNS TO PREVENT WATER INGRESS WITHIN EXPOSED END GRAIN

FLAT ALUMINIUM BACK PANEL, STOOD OFF BY 5mm, PPC FINISH Approx 1112x270 Must cover open framework and be removable using threaded inserts and bolts

140x140 STRUCTURAL OAK FRAME

12mm THK MILD STEEL BASE PLATE ASSEMBLY WITH GALVANISED FINISH, With 20mm holes for mounting to boardwalk with m16 bolts.

80mm steel section for mounting through boardwalk into concrete

QTY.	REF.
x1	4-N60-011

DESCRIPTION

Upright freechimes with sign inc through boardwalk support

MATERIALS

Oak or similar
Marine grade stainless steel
8 note outdoor chime
3mm Aluminium with PPC

CLIENT
Connemara National Park

PROJECT
Wayfinding and signage

DRAWN BY
MV

ISSUE
15.06.2026

DESCRIPTION

Upright freechimes with sign inc through boardwalk support

MATERIALS

Oak or similar
Marine grade stainless steel
8 note outdoor chime
3mm Aluminium with PPC

CLIENT
Connemara National Park

PROJECT
Wayfinding and signage

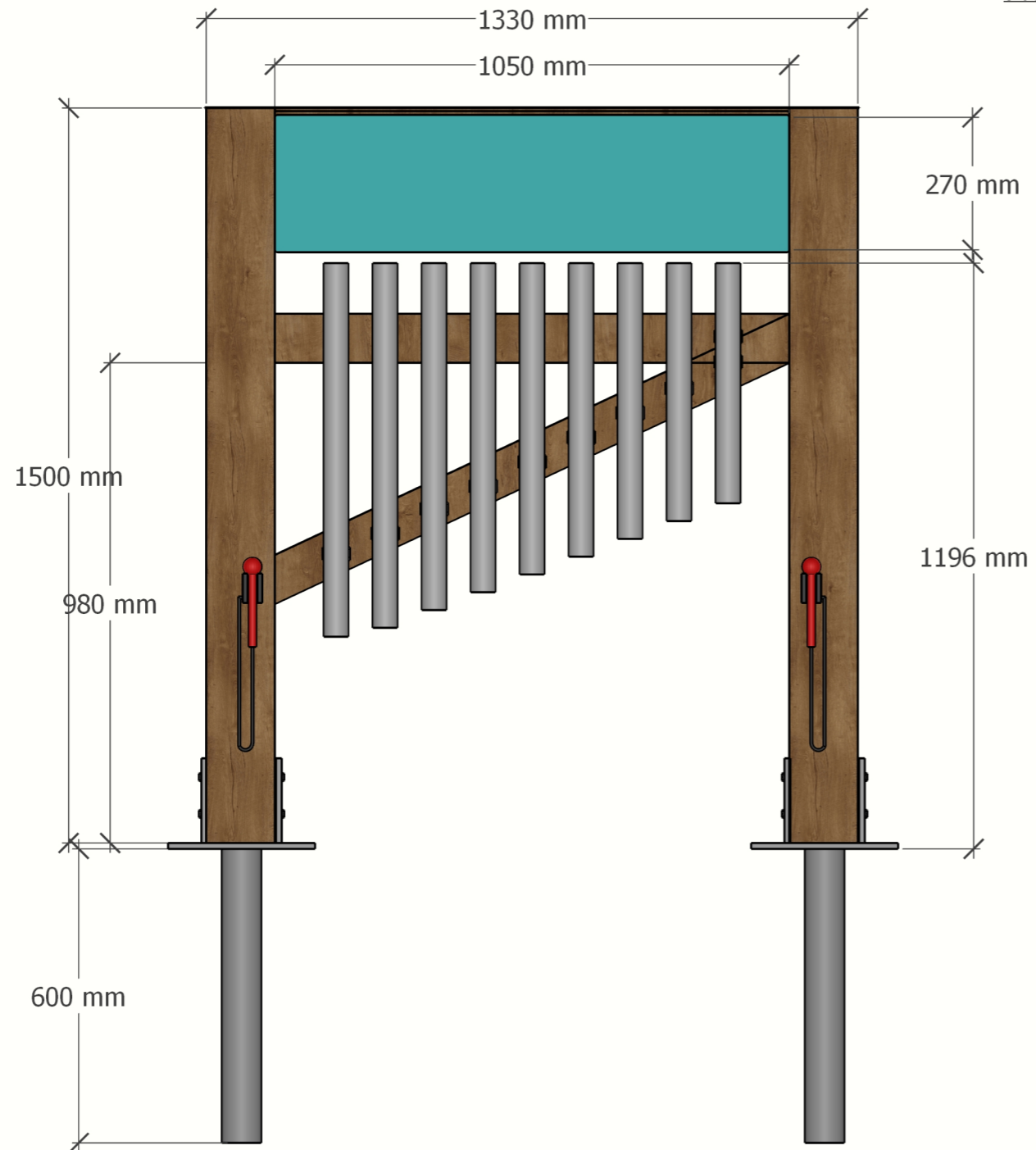
DRAWN BY
MV

ISSUE
15.06.2026

V1

Front Elevation

Side Elevation



Plan Elevation

